

**NOTES:**

1. LAST DASH NO. "XXX" INDICATES MICRON SIZE OF THRU HOLE  
Ex. SS-1/8-NPT-1/8-BARB-200 -INDICATES 200 MICRON THRU HOLE
2. DASH "CAL" INSERTED INTO PART NUMBER PRIOR TO MICRON SIZE INDICATES FLOW CALIBRATED.  
Ex. SS-1/8-NPT-1/8-BARB-CAL-XXX
3. 1/8-27 NPTM
4. BREAK ALL SHARP EDGES 0.002" TO 0.005"
5. TYP 3 PLCS.
6. PARTS TO BE FREE OF OILS & DEBRIS
7. PASSIVATE PER ASTM A967
8. THREADS TO BE COVERED WITH PROTECTIVE THREAD CAP
9. Ø0.250 REAM

REV	DESCRIPTION	INCRP BY	DATE
B	CLARITY	J. SCHUSTER	8/18/2017
C	ADDED NOTE 9, NEW OVERALL LENGTH TOLERANCE	J. SCHUSTER	11/7/2018

**Specifications**

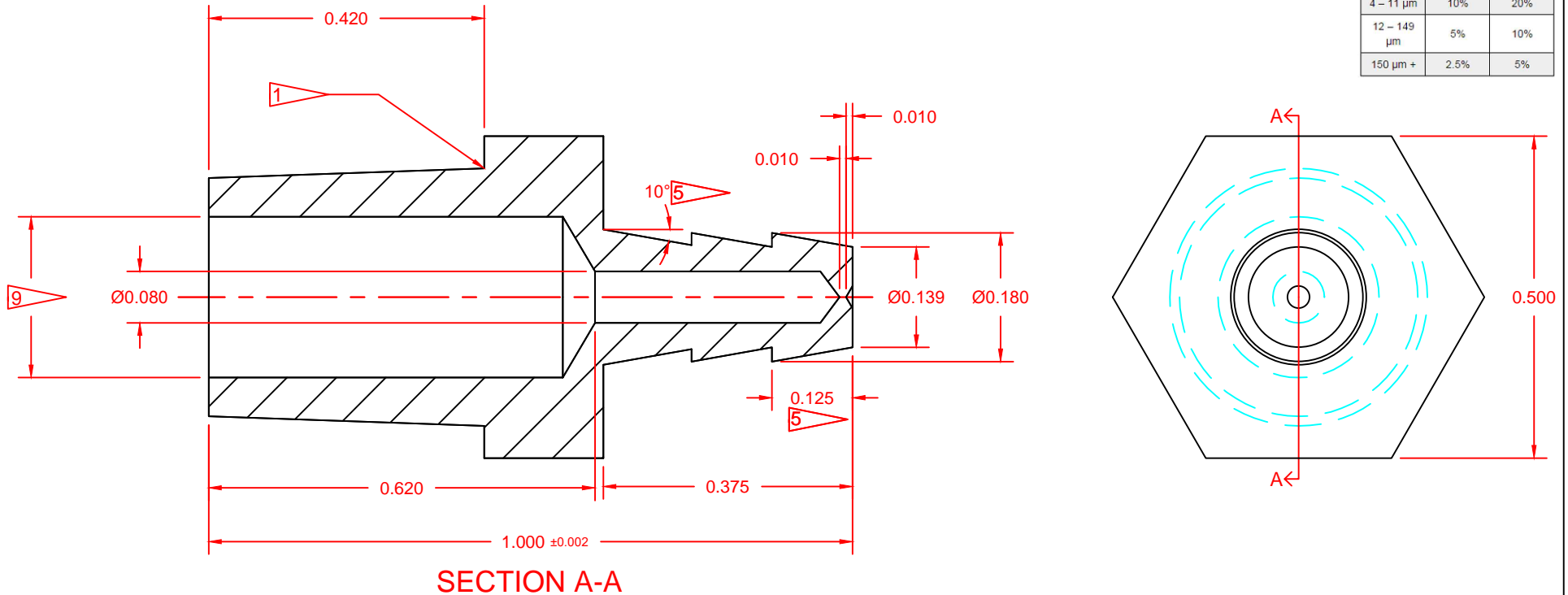
Diameter	3.175mm x 3.175mm (1/8" x 1/8")
Centering	±0.250mm (±0.00984")
Orifice Diameters	1 - 1000µ (0.0000394" - 0.0394")

**Optically Measured Tolerances**

Diameter	Tolerance +/-
2 µm	40%
3 - 5 µm	20%
6 - 7 µm	15%
8 - 149 µm	10%
100+ µm	5%

**Flow Calibrated Tolerances**

Diameter	Dia +/-	Flow +/-
1 µm	40%	80%
2 µm	20%	40%
3 µm	15%	30%
4 - 11 µm	10%	20%
12 - 149 µm	5%	10%
150 µm +	2.5%	5%



THIS DOCUMENT CONTAINS INFORMATION THAT IS CONFIDENTIAL AND PROPRIETARY TO LENOX LASER. THIS DOCUMENT IS FURNISHED ON THE UNDERSTANDING THAT THE DOCUMENT AND THE INFORMATION IT CONTAINS WILL NOT BE COPIED OR DISCLOSED TO OTHERS EXCEPT WITH THE WRITTEN CONSENT OF LENOX LASER. WILL NOT BE USED FOR ANY PURPOSE OTHER THAN CONDUCTING BUSINESS WITH LENOX LASER, AND WILL BE RETURNED AND ALL FURTHER USE DISCONTINUED UPON REQUEST BY LENOX LASER.

UNLESS OTHERWISE SPECIFIED ALL DIMENSIONS ARE IN INCHES  
DECIMAL VALUES ARE SHOWN WITH DECIMAL TOLERANCE VALUES  
DECIMAL TOLERANCES  
PLACES .X = ± .1  
.XX = ± .01  
IN THE .XXX = ± .005  
PRINT .XXXX = ± .0005  
FRACTIONAL AND ANGULAR VALUES ARE SHOWN WITH  
FRACTIONAL OR ANGULAR TOLERANCE VALUES.  
FRACTIONS = ± 1/16  
ANGLES = ± 1°

**Material**  
SS-303  
PER ASTM A582



**Used On**

APPROVALS	DATE
DRAWN C. DRAPER	1/19/2016
CHK J. SCHUSTER	1/20/2016
ENGR J. SCHUSTER	1/20/2016
SHEET: 1 OF 1	DO NOT SCALE

**Drawing Number**  
A SS-1/8-NPT-1/8-BARB-XXX

**REV**  
C

**Drawing Name**  
SS 1/8" NPT X 1/8" BARB