

NOTES:

1. LAST DASH NO. "XXX" INDICATES MICRON SIZE OF THRU HOLE
Ex. BR-1/8-NPT-1/4-BARB-200 -INDICATES 200 MICRON THRU HOLE
2. DASH "CAL" INSERTED INTO PART NUMBER PRIOR TO MICRON SIZE INDICATES FLOW CALIBRATED.
Ex. BR-1/8-NPT-1/4-BARB-CAL-XXX
3. TYP. 2 PLCS.
4. TYP. 3 PLCS.
5. BREAK ALL SHARP EDGES 0.002" TO 0.005"
6. PARTS TO BE FREE OF OILS & DEBRIS
7. THREADS TO BE COVERED WITH PROTECTIVE THREAD CAP

REV	DESCRIPTION	INCRP BY	DATE
A	HEX NOTATION	J. SCHUSTER	2/12/2016
B	CLARITY AND DIMENSION CONSISTENCY	J. SCHUSTER	4/5/2018

Specifications

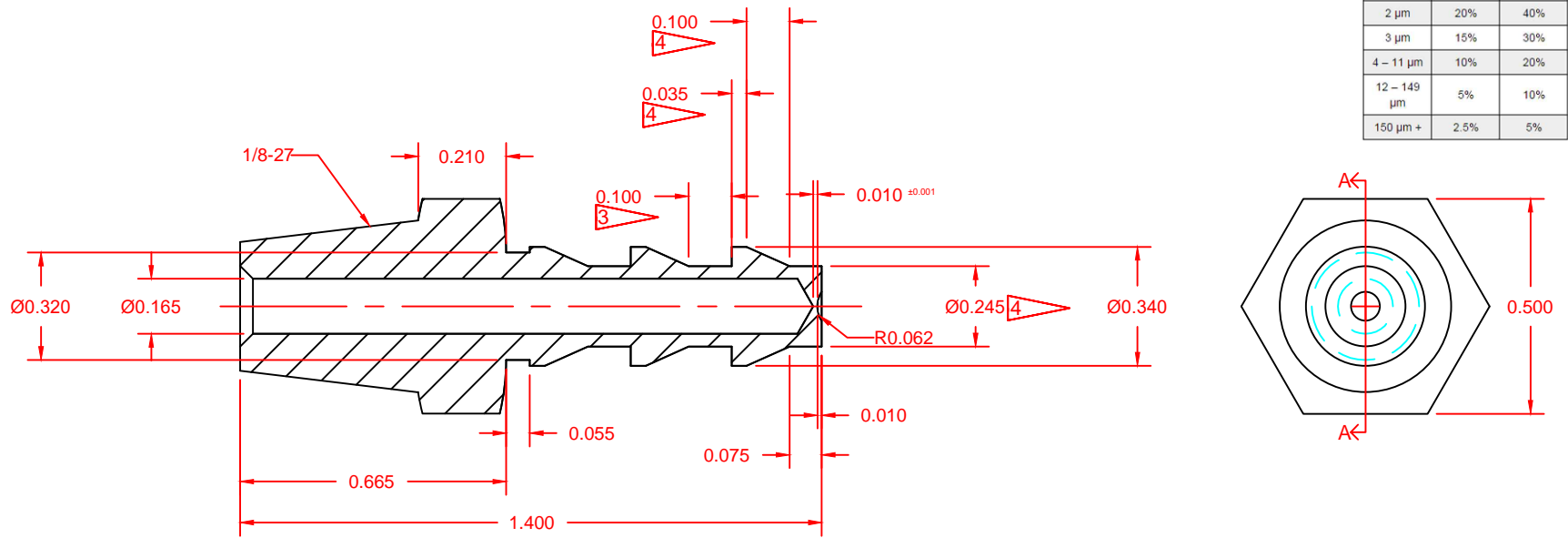
Diameter	3.175mm x 6.35mm (1/8"NPT x 1/4")
Centering	±0.250mm (±0.00984")
Orifice Diameters	1 - 1000µ (0.0000394" - 0.0394")

Optically Measured Tolerances

Diameter	Tolerance +/-
2 µm	40%
3 - 5 µm	20%
6 - 7 µm	15%
8 - 149 µm	10%
100+ µm	5%

Flow Calibrated Tolerances

Diameter	Dia +/-	Flow +/-
1 µm	40%	80%
2 µm	20%	40%
3 µm	15%	30%
4 - 11 µm	10%	20%
12 - 149 µm	5%	10%
150 µm +	2.5%	5%



SECTION A-A

THIS DOCUMENT CONTAINS INFORMATION THAT IS CONFIDENTIAL AND PROPRIETARY TO LENOX LASER. THIS DOCUMENT IS FURNISHED ON THE UNDERSTANDING THAT THE DOCUMENT AND THE INFORMATION IT CONTAINS WILL NOT BE COPIED OR DISCLOSED TO OTHERS EXCEPT WITH THE WRITTEN CONSENT OF LENOX LASER. WILL NOT BE USED FOR ANY PURPOSE OTHER THAN CONDUCTING BUSINESS WITH LENOX LASER, AND WILL BE RETURNED AND ALL FURTHER USE DISCONTINUED UPON REQUEST BY LENOX LASER.

UNLESS OTHERWISE SPECIFIED ALL DIMENSIONS ARE IN INCHES
DECIMAL VALUES ARE SHOWN WITH DECIMAL TOLERANCE VALUES
DECIMAL .X = ±.1 TOLERANCES
PLACES .XX = ±.01 APPLIED
IN THE .XXX = ±.005 TO THE
PRINT .XXXX = ±.0005 PRINT
FRACTIONAL AND ANGULAR VALUES ARE SHOWN WITH
FRACTIONAL OR ANGULAR TOLERANCE VALUES.
FRACTIONS = ± 1/16
ANGLES = ± 1°

Material
360 BRASS
TEMPER H02
PER ASTM B16

Used On
-



APPROVALS	DATE
DRAWN C. DRAPER	1/19/2016
CHK J. SCHUSTER	1/20/2016
ENGR J. SCHUSTER	1/20/2016
SHEET: 1 OF 1	DO NOT SCALE

Drawing Number
A BR-1/8-NPT-1/4-BARB-XXX REV B

Drawing Name
BRASS 1/8" NPT X 1/4" BARB